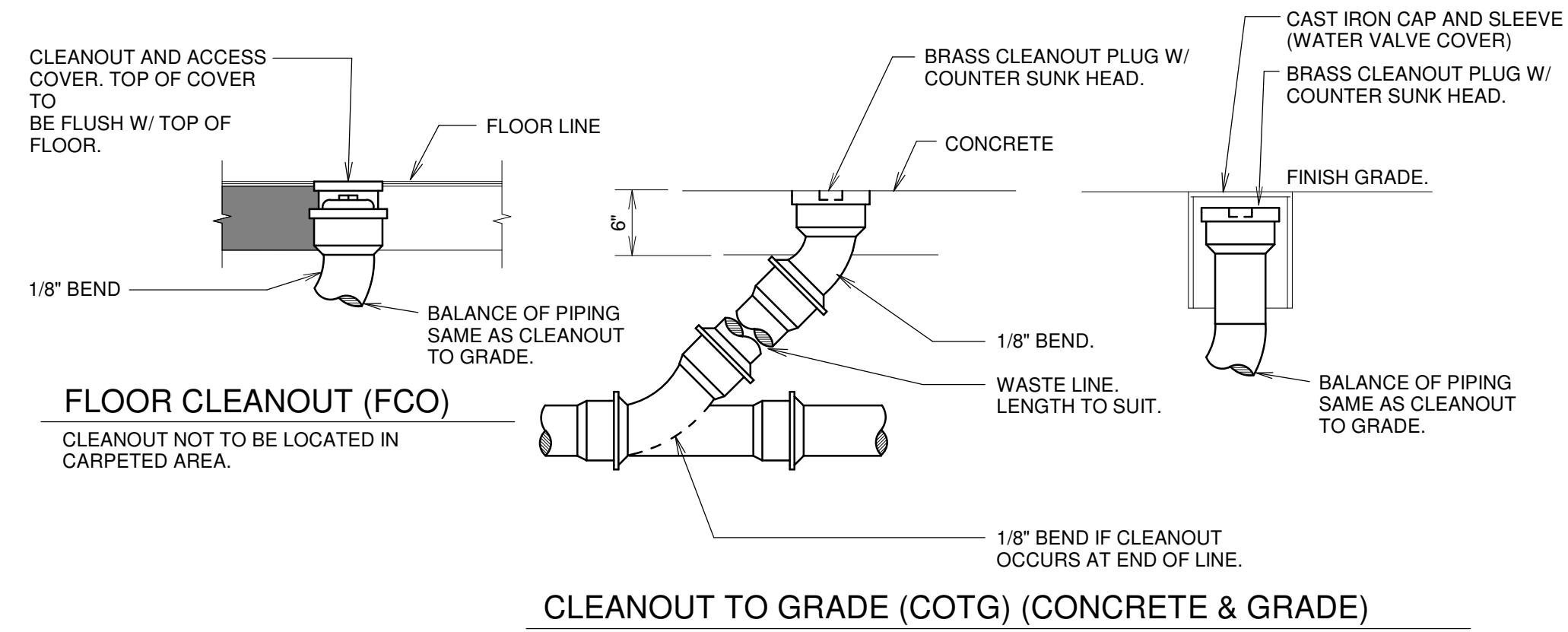
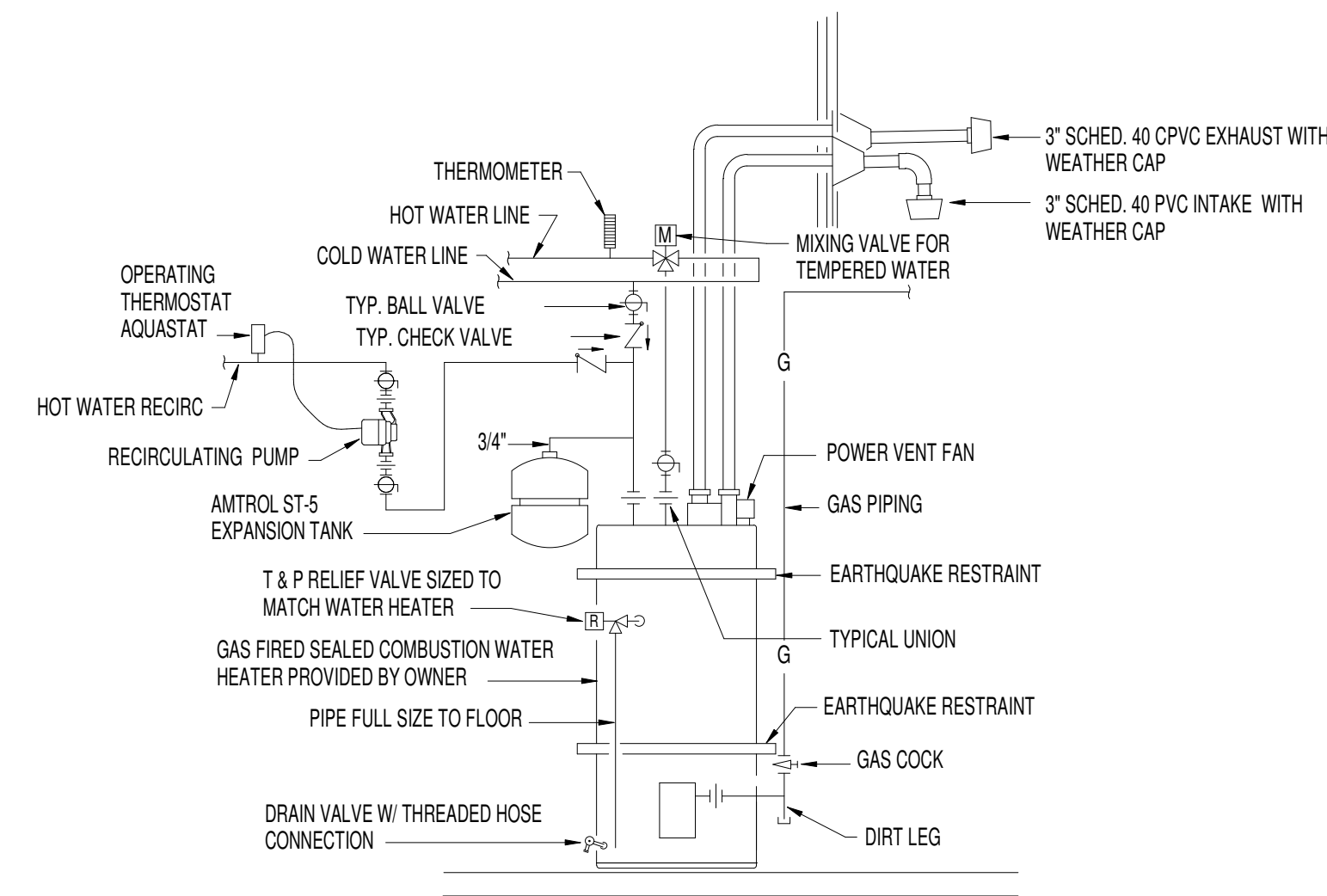


A WALL CLEANOUT DETAIL
SCALE: NONE

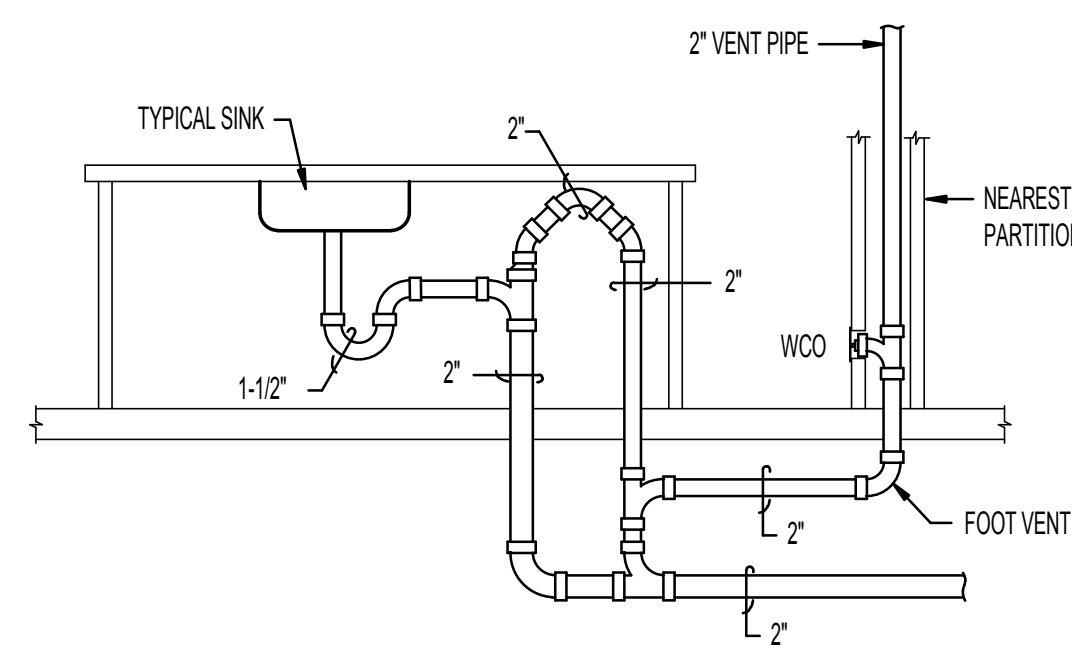


B CLEANOUT DETAILS
SCALE: NONE

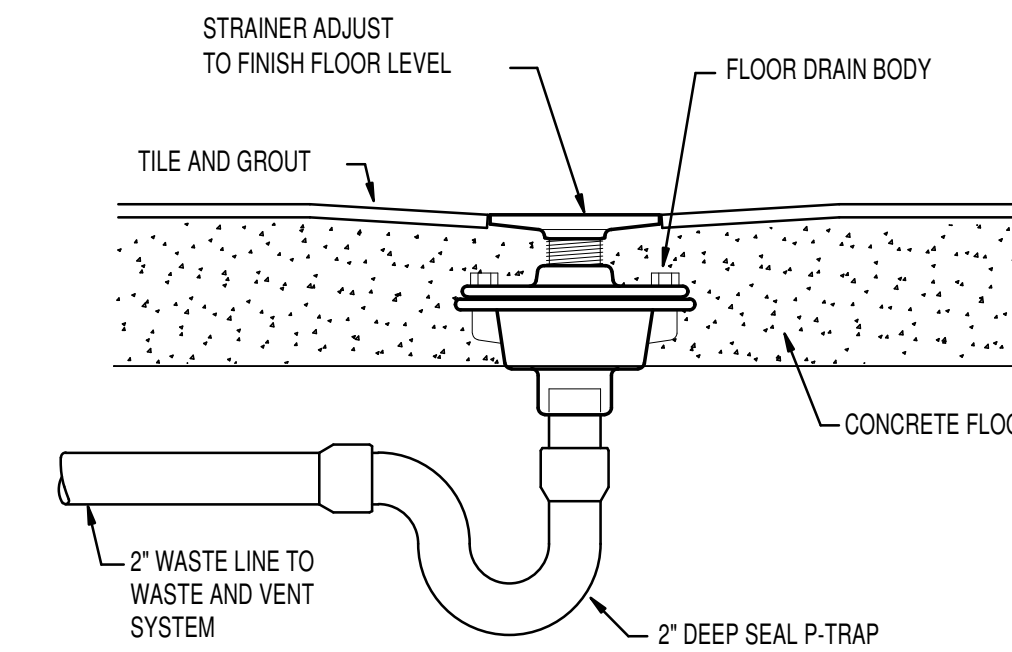
FIXTURE SCHEDULE					
SYM.	DESCRIPTION	HOT	COLD	WASTE	VENT
(DW-1)	DISHWASHER - FURNISHED BY OWNER AND INSTALLED BY CONTRACTOR. RUSH-IN AND CONNECT 1/2\"/>	---	1/2"	5/8"	---
(ET-1)	EXPANSION TANK - AMTROL ST-5 EXPANSION TANK	---	3/4"	---	---
(FD-1)	2' FLOOR DRAIN - ZURN MODEL Z-415-5SP WITH 5x5, TYPE 'S', NICKEL-BRONZE STRAINER AND 2\"/>	---	---	2"	2"
(RP-1)	RECIRCULATING PUMP - GRUNDFOS MODEL UP15-10B7 BRONZE PUMP WITH 3/4\"/>	3/4"	---	---	---
(S-1)	DOUBLE COMPARTMENT SINK - ELKAY MODEL ECTS3228BG KIT WITH 18 GA TYPE 304 STAINLESS STEEL CONSTRUCTION, 1-HOLE FAUCET DRILLING, ELKAY LKGT1041 FAUCET, TYPE 304 STRAINER KIT, 1-1/2\"/>	1/2"	1/2"	1-1/2"	1-1/2"
(S-2)	HAND WASH SINK - PROVIDED BY KITCHEN EQUIPMENT CONTRACTOR	1/2"	1/2"	1-1/2"	1-1/2"
(WB-1)	WASH BOX - OATEY POLY WASHER BOX WITH 1/2\"/>	1/2"	1/2"	1-1/2"	1-1/2"
(WH-1)	GAS FIRED WATER HEATER - PROVIDED BY OWNER, T&P VALVE TO BE PROVIDED BY CONTRACTOR.	3/4"	3/4"	---	---



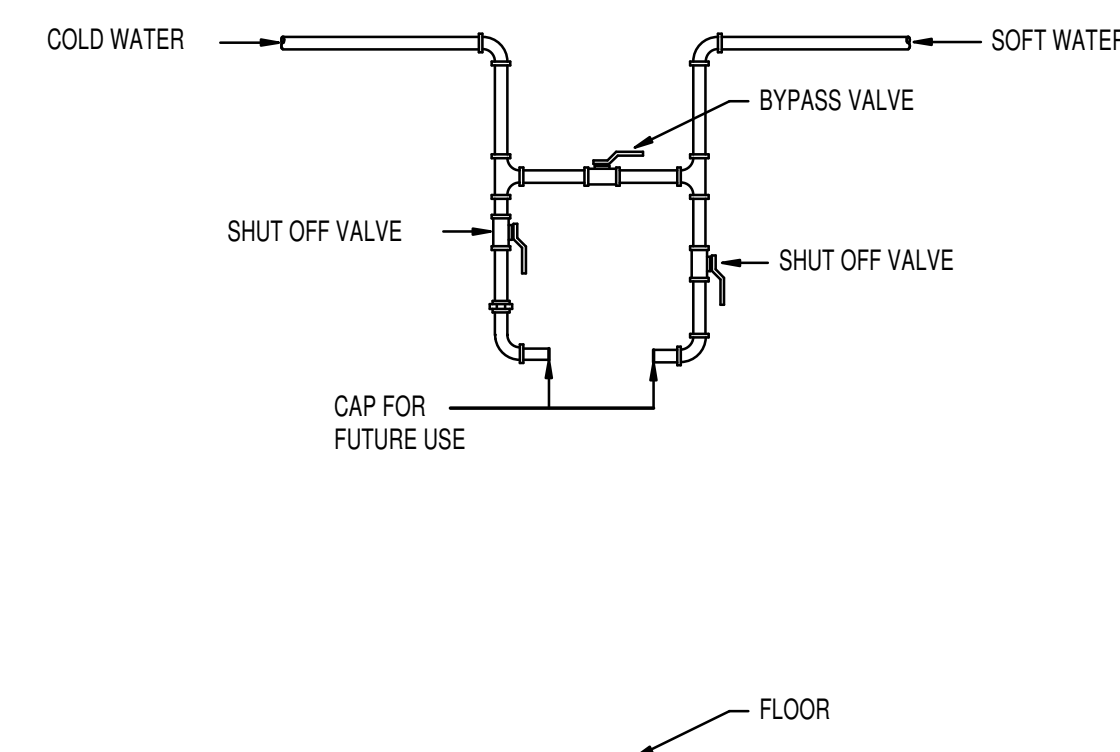
C TANK WATER HEATER PIPING DETAIL
SCALE: NONE



D ISLAND SINK VENTING DETAIL
SCALE: NONE



E FLOOR DRAIN IN CONCRETE DETAIL
SCALE: NONE



F FUTURE WATER SOFTENER PIPING DIAGRAM
SCALE: NONE

LEGEND					
MEANING	SYMBOL OR ABBREVIATION	MEANING	SYMBOL OR ABBREVIATION	MEANING	SYMBOL OR ABBREVIATION
HOT WATER LINE	----	CONDENSATE DRAIN	— D —	WALL CLEANOUT	WCO
HOT WATER CIRCULATION LINE	----	SECONDARY CONDENSATE DRAIN	— SD —	CLEANOUT TO GRADE	COTG
COLD WATER LINE	----	UNION	— —	VENT THRU ROOF	VTR
VENT LINE	----	BALL VALVE	— — —	CIRCULATING PUMP OCCUPANCY SENSOR	⊕
WASTE LINE	----	GAS LINE	— G —	GAS PRESSURE REGULATOR VALVE	— — —

revisions		
no.	description	date

project: 1806
DPW project: 19230
date: 3/27/2019

PLUMBING
SCHEDULES &
DETAILS

sheet:
P2.1

Engineered Systems Associates
1355 EAST CENTER
POCATELLO, IDAHO 83201
PHONE: (208) 233-0501
FAX: (208) 233-0529
EMAIL: esa@engsystems.com
ESA JOB NUMBER: 18076

Wayne C. Sindhwa
5762
MAR 27, 2019
STATE OF IDAHO
DIETETICS